

1.- PVC EVACUACION**1.1- TUBERIA PVC EVACUACION SERIE B**

| MEDIDA | ESPESOR | CODIGO | METROS | MEDIDA | ESPESOR | CODIGO | METROS |
|--------|---------|--------|----------|--------|---------|--------|----------|
| 75 | 3 | TPB75 | 3 METROS | 32 | 2 | TPB32 | 5 METROS |
| 90 | 3 | TPB90 | 3 METROS | 40 | 3 | TPB40 | 5 METROS |
| 110 | 3,2 | TPB110 | 3 METROS | 50 | 3 | TPB50 | 5 METROS |
| 125 | 3,2 | TPB125 | 3 METROS | | | | |
| 160 | 3,2 | TPB160 | 3 METROS | | | | |
| 200 | 3,9 | TPB200 | 3 METROS | | | | |
| 250 | 4,9 | TPB250 | 3 METROS | | | | |
| 315 | 6,2 | TPB315 | 3 METROS | | | | |

1.2- TUBERIA PVC EVACUACION ESTRUCTURADA

| MEDIDA | CODIGO | METROS |
|--------|--------|----------|
| 90 | TPE90 | 3 METROS |
| 110 | TPE110 | 3 METROS |
| 125 | TPE125 | 3 METROS |
| 160 | TPE160 | 3 METROS |
| 200 | TPE200 | 3 METROS |
| 250 | TPE250 | 3 METROS |

**1.3- TUBERIA PVC FLEXIBLE EN TIRAS**











| MEDIDA | CODIGO | METROS |
|--------|--------|----------|
| 32 | TPF32T | 1,5 MET. |
| 40 | TPF40T | 1,5 MET. |
| 50 | TPF50T | 1,5 MET. |
| | | |
| | | |


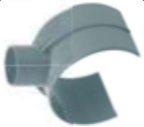









1.4- TUBERIA PVC FLEXIBLE EN ROLLO







| MEDIDA | CODIGO | COLOR | METROS |
|--------|----------|--------|---------|
| 20 | TPF20G25 | GRIS | 25 MET. |
| 25 | TPF25G25 | GRIS | 25 MET. |
| 32 | TPF32G25 | GRIS | 25 MET. |
| 40 | TPF40G25 | GRIS | 25 MET. |
| 50 | TPF50G25 | GRIS | 25 MET. |
| 20 | TPF20G50 | GRIS | 50 MET. |
| 25 | TPF25G50 | GRIS | 50 MET. |
| 32 | TPF32G50 | GRIS | 50 MET. |
| 40 | TPF40G50 | GRIS | 50 MET. |
| 50 | TPF50G50 | GRIS | 50 MET. |
| 20 | TPF20B | BLANCO | METRO |
| 25 | TPF25B | BLANCO | METRO |
| 32 | TPF32B | BLANCO | METRO |
| 40 | TPF40B | BLANCO | METRO |
| 50 | TPF50B | BLANCO | METRO |



1.5- ACCESORIOS DE PVC EVACUACION

| CODIGO PVC EVACUACION H-H 87° | | | CODIGO PVC EVACUACION H-H 45° | | |
|---------------------------------|-----------|---|---------------------------------|-----------|---|
| MEDIDA | CODIGO | | MEDIDA | CODIGO | |
| 32 | CE8732 |  | 32 | CE4532 |  |
| 40 | CE8740 | | 40 | CE4540 | |
| 50 | CE8750 | | 50 | CE4550 | |
| 90 | CE8790 | | 90 | CE4590 | |
| 110 | CE87110 | | 110 | CE45110 | |
| 125 | CE87125 | | 125 | CE45125 | |
| CODIGO PVC EVACUACION M-H 87° | | | CODIGO PVC EVACUACION M-H 45° | | |
| MEDIDA | CODIGO | | MEDIDA | CODIGO | |
| 32 | CEM8732 |  | 32 | CEM4532 |  |
| 40 | CEM8740 | | 40 | CEM4540 | |
| 50 | CEM8750 | | 50 | CEM4550 | |
| 75 | CEM8775 | | 75 | CEM4575 | |
| 90 | CEM8790 | | 90 | CEM4590 | |
| 110 | CEM87110 | | 110 | CEM45110 | |
| 125 | CEM87125 | | 125 | CEM45125 | |
| 160 | CEM87160 | | 160 | CEM45160 | |
| 200 | CEM87200 | | 200 | CEM45200 | |
| 250 | CEM87250 | | 250 | CEM45250 | |
| 315 | CEM87315 | | 315 | CEM45315 | |
| TE PVC EVACUACION H-H 87° | | | TE PVC EVACUACION H-H 45° | | |
| MEDIDA | CODIGO | | MEDIDA | CODIGO | |
| 32 | TE8732 |  | 32 | TE4532 |  |
| 40 | TE8740 | | 40 | TE4540 | |
| 50 | TE8750 | | 50 | TE4550 | |
| 90 | TE8790 | | 90 | TE4590 | |
| 110 | TE87110 | | 110 | TE45110 | |
| 125 | TE87125 | | 125 | TE45125 | |
| TE PVC EVACUACION M-H 87° | | | TE PVC EVACUACION M-H 45° | | |
| MEDIDA | CODIGO | | MEDIDA | CODIGO | |
| 32 | TEM8732 |  | 32 | TEM4532 |  |
| 40 | TEM8740 | | 40 | TEM4540 | |
| 50 | TEM8750 | | 50 | TEM4550 | |
| 75 | TEM8775 | | 75 | TEM4575 | |
| 90 | TEM8790 | | 90 | TEM4590 | |
| 110 | TEM87110 | | 110 | TEM45110 | |
| 125 | TEM87125 | | 125 | TEM45125 | |
| 160 | TEM87160 | | 160 | TEM45160 | |
| 200 | TEM87200 | | 200 | TEM45200 | |
| 250 | TEM87250 | | 250 | TEM45250 | |
| 315 | TEM87315 | | 315 | TEM45315 | |
| TE PVC EVACUACION DOBLE M-H 87° | | | TE PVC EVACUACION DOBLE M-H 45° | | |
| MEDIDA | CODIGO | | MEDIDA | CODIGO | |
| 90 | TEDM8790 |  | 90 | TEDM4590 |  |
| 110 | TEDM87110 | | 110 | TEDM45110 | |
| 125 | TEDM87125 | | 125 | TEDM45125 | |
| 160 | TEDM87160 | | 160 | TEDM45160 | |
| 200 | TEDM87200 | | 200 | TEDM45200 | |

| INJERTO PVC EVACUACION ESTRECHO | | | INJERTO PVC EVACUACION | | |
|--|------------|---|-------------------------------------|------------|---|
| MEDIDA | CODIGO | | MEDIDA | CODIGO | |
| 110-40 | IEE11040 |  | 110-125/40 | IE11040 |  |
| 110-50 | IEE11050 | | | | |
| 90-40 | IEE9040 | | 110-125/50 | IE11050 | |
| 90-50 | IEE9050 | | | | |
| INJERTO PVC EVACUACION 45° | | | INJERTO PVC EVACUACION 45° | | |
| MEDIDA | CODIGO | | MEDIDA | CODIGO | |
| INS-05 | IE4511050 |  | 200-110 | IE200110 |  |
| | 45° | | 200-125 | IE200125 | |
| INJERTO PVC EVACUACION CLIP | | | 160 – 110 | IE45160110 |  |
| MEDIDA | CODIGO | | 160 – 125 | IE45160125 | |
| 160-110 | IEC160110 |  | | | |
| 160-125 | IEC160125 | | | | |
| CODO PVC EVACUACION C/ INJERTO | | | INJERTO PVC EVACUACION | | |
| MEDIDA | CODIGO | | MEDIDA | CODIGO | |
| 90/50 | CEI4590 |  | 110/90 | IE11090 |  |
| 110/50 | CEI45110 | | 110/110 | IE110110 | |
| 125/50 | CEI45125 | | 125/110 | IE125110 | |
| 90/50 | CEI8790 | | | | |
| 110/50 | CEI87110 | | | | |
| 125/50 | CEI87125 | | | | |
| CODO PVC EVACUACION C/ INJERTO TRASERO | | | SIFON PVC EVACUACION CON REGISTRO | | |
| MEDIDA | CODIGO | | MEDIDA | CODIGO | |
| 90/50 | CEIT90 |  | 110 | SPR110 |  |
| 110/50 | CEIT110 | | 125 | SPR125 | |
| | | 160 | SPR160 | | |
| | | 200 | SPR200 | | |
| DERIVACION PVC EVACUACION 45° REDUCIDA | | | CODO PVC EVACUACION 15° – 22° - 30° | | |
| MEDIDA | CODIGO | | | | |
| 110-50 | DE11050 |  | | | |

| TAPON PVC EVACUACION REDUCIDO | | | CASQUILLO PVC EVACUACION | | | | |
|-------------------------------|---------------|---|---|----------|---|--|--|
| MEDIDA | CODIGO | | MEDIDA | CODIGO | | | |
| 75-32 | TER7532 |  | 40-32 | CR4032 |  | | |
| 75-40 | TER7540 | | 50-32 | CR5032 | | | |
| 75-50 | TER7550 | | 50-40 | CR5040 | | | |
| 90-32 | TER9032 | | REDUCCION PVC EVACUACION M-H | | | | |
| 90-40 | TER9040 | | 40-32 | RE4032 |  | | |
| 90-50 | TER9050 | | 50-32 | RE5032 | | | |
| 90-75 | TER9075 | | 50-40 | RE5040 | | | |
| 110-32 | TER11032 | | 75-50 | RE7550 | | | |
| 110-40 | TER11040 | | 90-50 | RE9050 | | | |
| 110-50 | TER11050 | | 90-75 | RE9075 | | | |
| 110-75 | TER11075 | | 110-75 | RE11075 | | | |
| 110-90 | TER11090 | | 110-90 | RE11090 | | | |
| 125-32 | TER12532 | | 125-75 | RE12575 | | | |
| 125-40 | TER12540 | | 125-90 | RE12590 | | | |
| 125-50 | TER12550 | | 125-110 | RE125110 | | | |
| 125-75 | TER12575 | | 160-110 | RE160110 | | | |
| 125-90 | TER12590 | | 160-125 | RE160125 | | | |
| 125-110 | TER125110 | | 200-125 | RE200125 | | | |
| 160-110 | TER160110 | 200-160 | RE200160 | | | | |
| 160-125 | TER160125 | 250-160 | RE250160 | | | | |
| 200-110 | TER200110 | 250-200 | RE250200 | | | | |
| 200-125 | TER200125 | 315-200 | RE315200 | | | | |
| 200-160 | TER200160 | 315-250 | RE315250 | | | | |
| 250-160 | TER250160 | 400-200 | RE400200 | | | | |
| 250-200 | TER250200 | 400-315 | RE400315 | | | | |
| 315-200 | TER315200 | TAPON PVC EVACUACION REDUCIDO DOBLE | | | | | |
| 315-250 | TER315250 | REDUCCION PVC EVACUACION CONCENTRICA | | | | | |
| MEDIDA | CODIGO | | MEDIDA | CODIGO | | | |
| 90-40-32 | TERD904032 |  | 75-50 | RC7550 |  | | |
| 90-40-40 | TERD904040 | | 90-75 | RC9075 | | | |
| 90-32-32 | TERD903232 | | 110-75 | RC11075 | | | |
| 110-50-40 | TERD1105040 | | 110-90 | RC11090 | | | |
| 110-50-32 | TERD1105032 | | 125-90 | RC12590 | | | |
| 110-40-40 | TERD1104040 | | 125-110 | RC125110 | | | |
| 110-40-32 | TERD1104032 | | 145-110 | RC145110 | | | |
| 110-32-32 | TERD1103232 | | 145-125 | RC145125 | | | |
| 125-40-32 | TERD1254032 | | 160-110 | RC160110 | | | |
| 125-50-32 | TERD1255032 | | 160-125 | RC160125 | | | |
| 125-50-50 | TERD1255050 | | 200-125 | RC200125 | | | |
| 125-50-40 | TERD1255040 | | 200-160 | RC200160 | | | |
| 125-40-40 | TERD1254040 | | TAPON PVC EVACUACION REDUCIDO TRIPLE | | | | |
| MEDIDA | CODIGO | | | | | | |
| 110-40-40-40 | TERT110404040 | |  | | | | |
| 110-50-40-40 | TERT110504040 | | | | | | |
| 125-50-40-40 | TERT125504040 | | | | | | |
| 125-50-40-32 | TERT125504032 | | | | | | |
| 125-40-40-40 | TERT125404040 | | | | | | |